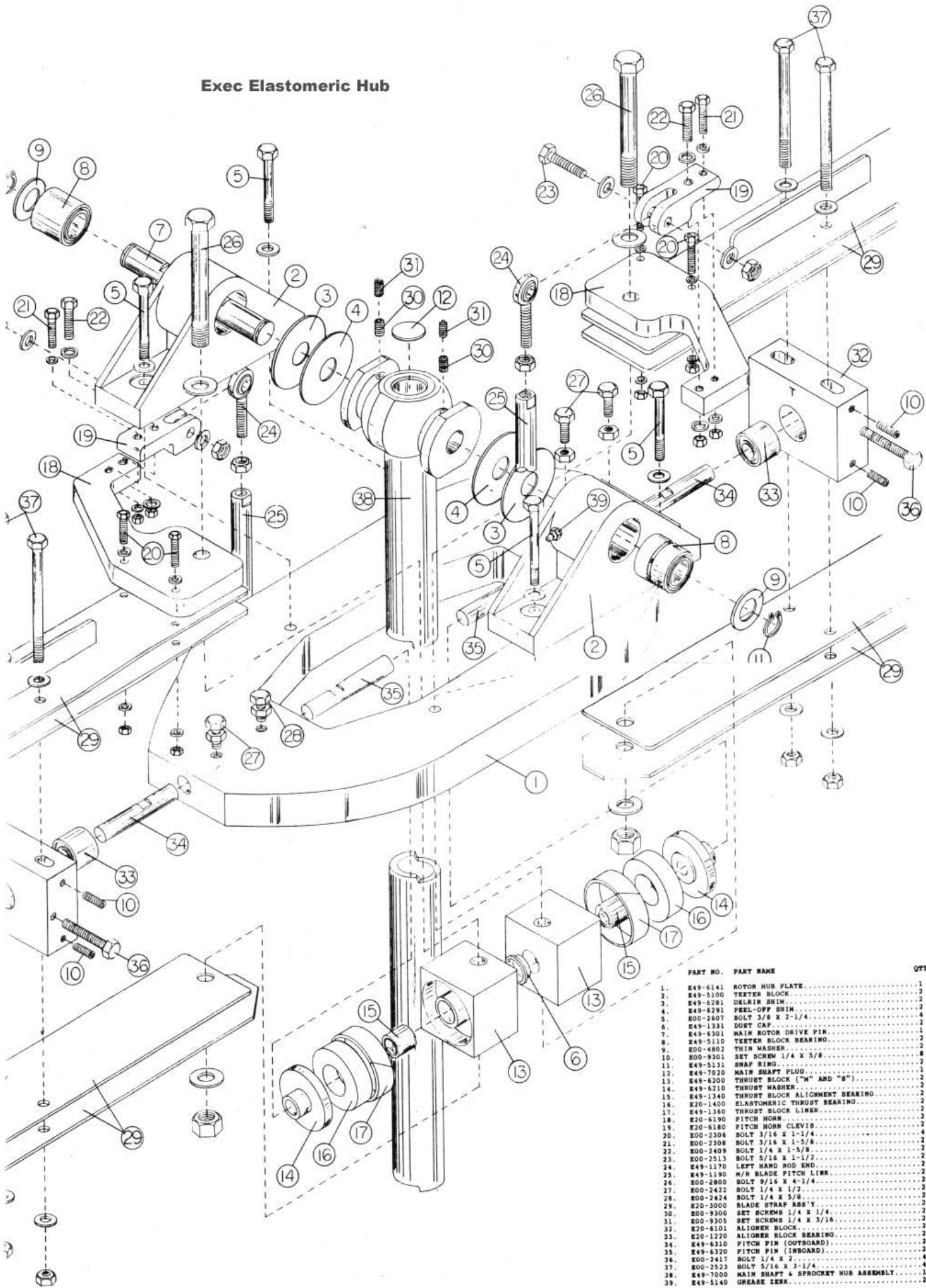


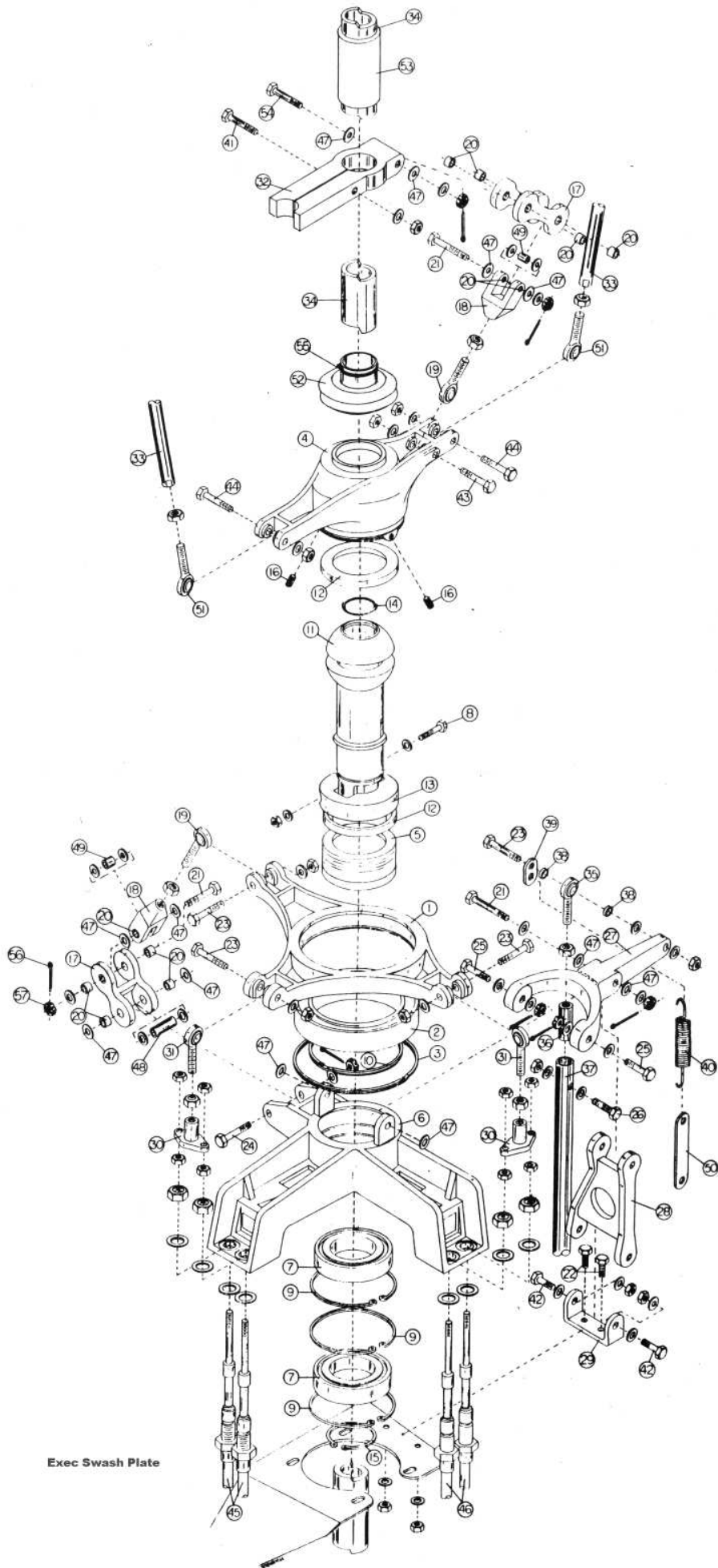
# Exec Elastomeric Hub



PART NO.	PART NAME	QTY.
1.	E49-6141 ROTOR HUB PLATE	1
2.	E49-5100 TEETER BLOCK	1
3.	E49-6281 DELRIN SHIM	2
4.	E49-6291 PREEL-OFF SHIM	2
5.	E00-2407 BOLT 3/8 X 2-1/4	4
6.	E49-1331 DUST CAP	2
7.	E49-6301 MAIN ROTOR DRIVE PIN	2
8.	E49-5110 TEETER BLOCK BEARING	2
9.	E00-4802 YRIN WASHER	2
10.	E00-9301 SET SCREW 1/4 X 5/8	8
11.	E49-5131 SNAP RING	2
12.	E49-7020 MAIN SHAFT FLANG.	1
13.	E49-6200 THRUST BLOCK ("M" AND "B")	2
14.	E49-6210 THRUST WASHER	2
15.	E49-1340 THRUST BLOCK ALIGNMENT BEARING	2
16.	E20-1400 ELASTOMERIC THRUST BEARING	2
17.	E49-1360 THRUST BLOCK LINK	2
18.	E20-6190 PITCH HORN	2
19.	E20-6180 PITCH HORN CLEVIS	2
20.	E00-2306 BOLT 3/16 X 1-1/4	4
21.	E00-2308 BOLT 3/16 X 1-5/8	2
22.	E00-2409 BOLT 1/4 X 1-5/8	2
23.	E00-2513 BOLT 5/16 X 1-1/2	2
24.	E49-1170 LEFT HAND ROD END	2
25.	E49-1190 M/R BLADE PITCH LINK	2
26.	E00-2890 BOLT 9/16 X 4-1/4	2
27.	E00-2422 BOLT 1/4 X 1/2	2
28.	E00-2424 BOLT 1/4 X 5/8	2
29.	E20-3000 BLADE STRAP ASS'Y	2
30.	E00-9300 SET SCREWS 1/4 X 1/4	2
31.	E00-9305 SET SCREWS 1/4 X 3/16	2
32.	E20-6101 ALIGNER BLOCK	2
33.	E20-1220 ALIGNER BLOCK BEARING	2
34.	E49-6310 PITCH PIN (OUTBOARD)	2
35.	E49-6320 PITCH PIN (INBOARD)	2
36.	E00-2417 BOLT 1/4 X 2	4
37.	E00-2523 BOLT 5/16 X 3-1/4	4
38.	E49-1000 MAIN SHAFT & SPROCKET HUB ASSEMBLY	1
39.	E49-5140 GREASE ZERR	2

EXEC SWASH PLATE PARTS LIST

REF NO.	PART NO.	PART NAME	QTY.
1.	E49-3610	NON ROTATING SWASHPLATE	1
2.	E49-3520	SWASHPLATE BEARING	1
3.	E49-3540	SNAP RING NON ROTATING	1
4.	E49-3510	ROTATING SWASHPLATE	1
5.	E49-3230	SLIDERBALL ADJUSTMENT COLLAR	1
6.	E49-4010	CYCLIC CABLE MOUNT	1
7.	E49-4100	CYCLIC MOUNT BEARING	2
8.	E00-2412	BOLT 1/4 X 2 1/8	1
9.	E49-4110	SNAP RING - CYCLIC MOUNT	3
10.	E49-3530	SNAP RING - ROTATING SWASHPLATE	1
11.	E49-3210	COLLECTIVE SLIDER BALL	1
12.	E49-3220	SPHERICAL BUSHING	2
13.	E49-1531	SLIDERBALL RING CLAMP	1
14.	E49-1520	SLIDERBALL O-RING	1
15.	E49-3240	SNAP RING SLIDERBALL	1
16.	E00-9302	RET SCREW 10-32	2
17.	E49-4610	SWASHPLATE SCISSOR	2
18.	E49-4710	SCISSOR CLEVIS	2
19.	E49-4720	MALE ROD END 5/16 X 3/8	2
20.	E49-4810	NYLON SCISSOR BUSHING	12
21.	E00-2427	BOLT 1/4 X 2-3/4 W/CASTLE NUT	3
22.	E00-2301	BOLT 3/16 X 5/8	2
23.	E00-2516	BOLT 5/16 X 1-7/8	4
24.	E00-2428	BOLT 1/4 X 3-3/8 W/CASTLE NUT	1
25.	E00-2425	BOLT 1/4 X 1-1/2 W/CASTLE NUT	2
26.	E00-2305	BOLT 3/16 X 1-1/8	2
27.	E49-4210	COLLECTIVE ACTUATOR FORK	1
28.	E49-4310	COLLECTIVE SCISSOR	1
29.	E49-1300	COLLECTIVE SCISSOR MOUNT	1
30.	E14-6120	CONTROL "T"	2
31.	E14-1150	5/16 MALE ROD END	2
32.	E49-4510	COUNTERBALANCE	1
33.	E49-1190	ROTOR BLADE PITCH LINK	2
34.	E49-7000	MAIN SHAFT AND SPROCKET HUB ASSY	1
35.	E15-1230	5/16 MALE ROD END	2
36.	E15-6130	COLLECTIVE ROD END PLUG	2
37.	E49-1400	COLLECTIVE CONTROL ROD	1
38.	E49-1410	ROD END SPACER	2
39.	E49-1470	SPRING BRACKET	1
40.	E49-1430	TENSION SPRING	1
41.	E00-2410	BOLT 1/4 X 2-3/4	1
42.	E00-2406	BOLT 1/4 X 1-1/8	2
43.	E00-2518	BOLT 5/16 X 2-1/8	1
44.	E00-2517	BOLT 5/16 X 2	2
45.	E14-1220	CYCLIC CONTROL CABLE (LATERAL)	2
46.	E14-1210	CYCLIC CONTROL CABLE (FORE & AFT.)	2
47.	E49-4800	DELTRIN WASHER (SCISSOR)	12
48.	E49-4830	SCISSOR SPACER 1-1/2" LONG	1
49.	E49-4820	CLEVIS SPACER 1/2" LONG	2
50.	E49-1470	SPRING BRACKET	1
51.	E49-1180	MALE ROD END 5/16	2
52.	E49-1510	DUST BOOT	1
53.	E49-1580	RUBBER SHAFT PROTECTOR	1
54.	E00-2426	BOLT 1/4 X 2-5/8 W/CASTLE NUT	1
55.	E00-9211	11" PLASTIC WIRE TIE (BLACK)	2
56.	E00-5000	1/16 X 3/4 COTTER RIN	7
57.	E00-3400	1/4-28 CASTLE NUT	7



Exec Swash Plate

Exec Drive System

REF. NO.	PART NO.	PART NAME	QTY.
1.	E49-6172	MAIN SPROCKET	1
2.	E49-7010	SPROCKET HUB	1
3.	E49-1220	MAIN ROTOR THRUST BEARING	1
4.	E49-1230	MAIN BEARING FLANGE	2
5.	E00-2407	BOLT (UPPER FLANGE) 3/8 X 1-1/8	4
6.	E00-2531	BOLT (LOWER FLANGE) 5/16 X 2-1/4	2
7.	E49-1240	LOWER MAIN SHAFT BEARING ASSY	1
8.	E00-2406	BOLT 1/4 X 1-1/8	4
9.	E36-1312	MAGNET ASSEMBLY ROTOR TACH	1
10.	E49-1260	MAIN ROTOR SHAFT SPACER	1
11.	E00-2301	BOLT 3/16 X 5/8	2
12.	E49-1380	COLLECTIVE SCISSOR MOUNT	1
13.	E49-7000	MAIN ROTOR SHAFT SPROCKET HUB ASSY	1
14.	E00-9028	HOSE CLAMPS #28	2
15.	E00-2608	BOLT 3/8 X 3-1/8	3
16.	E00-2525	BOLT 5/16 X 2-1/4 ALL THREAD	1
17.	E49-1700	LOWER BEARING BACKING PLATE	1
18.	E27-6100	IDLER PULLEY ASSY	1
19.	E27-3170	PULLEY MOUNTING ARM WELDMENT	1
20.	E27-6150	CLUTCH SPRING TUBE WELDMENT	1
21.	E00-2524	BOLT 5/16 X 3-1/2	2
22.	E24-5310	UPPER FRAME CLEVIS CASTING	1
23.	E00-2416	BOLT 1/4 X 1-3/4	1
24.	E24-5100	UPPER ENGINE MOUNT COP	1
25.	E27-5100	CLUTCH ARM CASTING	1
26.	E27-3130	CLUTCH ENGAGEMENT HANDLE	1
27.	E00-4850	SPACER	1

